

Orbita Lithium Batteries

All battery operated AVANTI winders are fitted with high-energy, factory installed, LITHIUM batteries that provide several years of battery life. In addition, each AVANTI winder carries an iron-clad 2-year product guarantee.

Replacement

When the time comes to replace the Lithium batteries in your AVANTI winder, you may purchase replacements directly from us. You may also purchase locally if available. Should you purchase locally, be sure to change all batteries at the same time.

Customer Support

Give Us A Shout!

Need a different size cushion? We have smaller and larger size cushions available for purchase direct from our website at: store.orbita.com, or call our toll free number (below) and we will be happy to assist you

Online

www.orbita.com

Email

info@orbita.com

Phone / Fax

910-256-5300 / 910-256-5356



Made in USA

Toll Free

800-800-4436



6740 Netherlands Dr.

Unit D

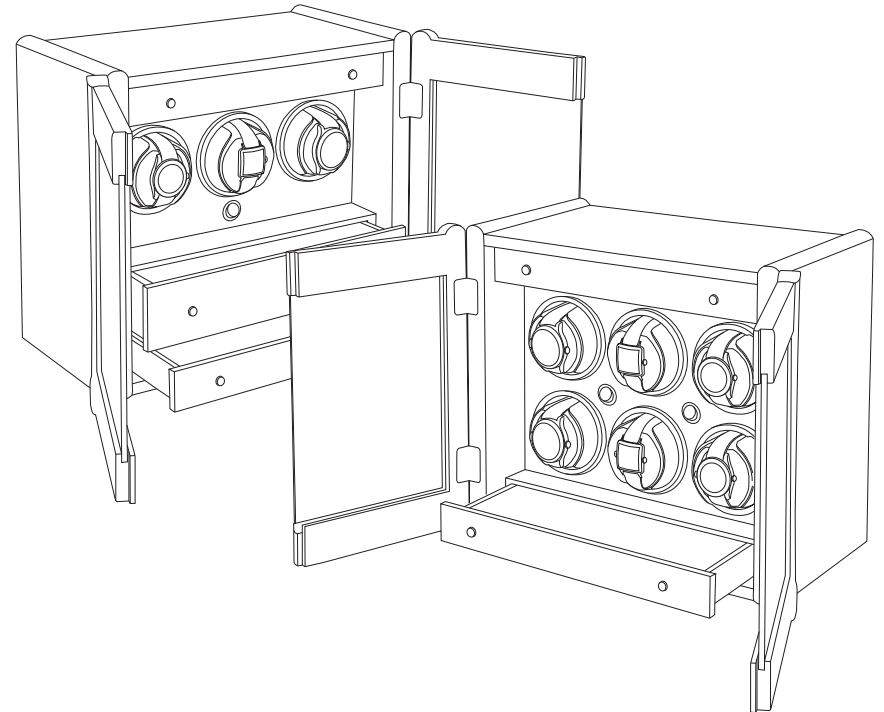
Wilmington, NC 28405

www.orbita.com

REVISED AUGUST 2014

ORBITA®

WATCHWINDERS



AVANTI WATCHWINDERS
3, 4, OR 6 MODULES

INSTRUCTION GUIDE

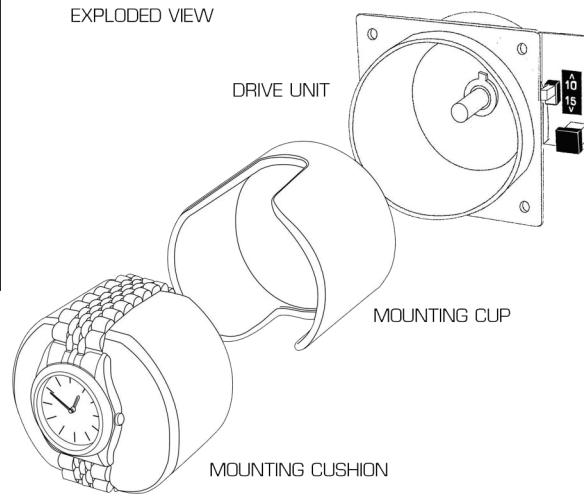
Avanti 3, 4, and 6 Modules

Congratulations!

The Avanti user guide will help take you through the initial set up and programming of your new watchwinder. Your winder is factory-fitted with ORBITA Lithium "D" cell batteries which provide several years of operating life at the normal 8-minute winding cycle. Even longer life may be accomplished by using the 12-minute mode pending upon the watch's winding characteristics.

Included In This Box

1. Avanti 3,4 or 6 Watchwinder
2. Key (1)
2. Cup Assembly (3, 4 or 6)
3. Standard Cushion (3,4 or 6)
4. Lithium Batteries (4)
5. Warranty Registration
6. Instruction Book



Getting Started

Turning Power On

1. Carefully unwrap the protective packaging.
2. Remove the key that is taped to the glass door.
3. Unlock and open the doors.
4. Select 8 or 12 minute setting. (Details on Next Page)
5. Mount watch on cushion and slide cushion into cup.
6. Slide the cup back firmly to engage the drive shaft key.
7. Turn the power on using master power switch(es) (o/-).

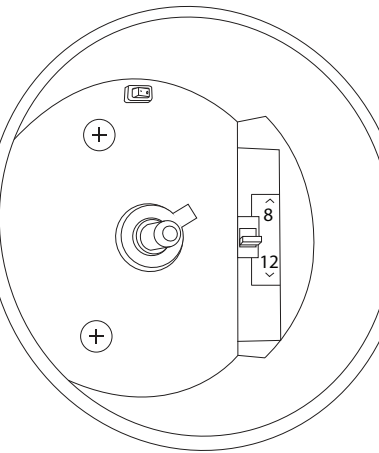
Mounting Watch on Cushion

1. With the bracelet or strap of the watch **closed**, squeeze and slide the cushion through the watch. The back of the watch should rest against the Orbita logo and the strap should lie on the flat portion of the cushion .



8/12 Minute Switch

A program switch located behind the cups allows you to select one of two winding cycles: 8 minute (factory preset) or 12 minute (extended program). The winding cycle begins every 8 or 12 minutes based on the program selected. Many watches that wind in both directions stay fully wound on the factory preset 8 min setting. To select the extended program, remove the mounting cup to reveal the program switch opening. Insert a small object (screwdriver, pencil, etc) into the opening and slide the switch to the 12 minute setting. The factory preset position is the 8 minute setting.



Battery Removal

To access the Lithium batteries on the rear of the watchwinder, remove the small Phillips head screws on the battery compartment tabs. Push the tabs down and pull compartment doors open.

