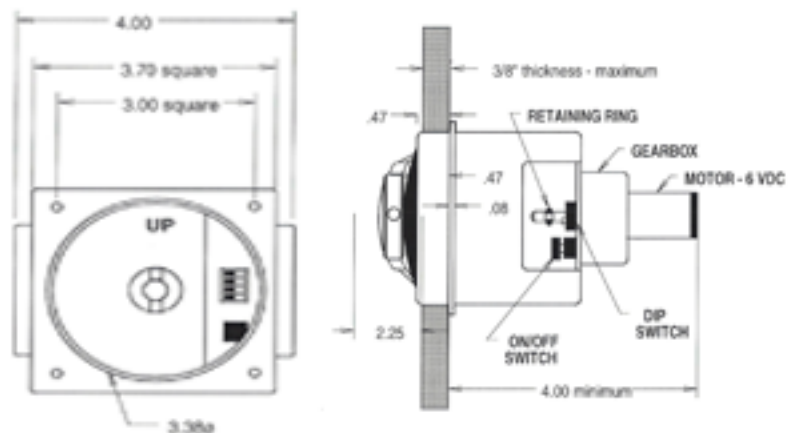


ORBITA®

MODULE ASSEMBLY - PROGRAMMABLE - VERSION - 6 VOLTS DC

PART NUMBER - W05053



FOR MULTIPLE MODULE UNIT MOUNTING,
MINIMUM MOUNTING GRID IS 4" x 4" BUT
6" x 5" IS RECOMMENDED TO PROVIDE
SPACE FOR BATTERY HOLDER (S)

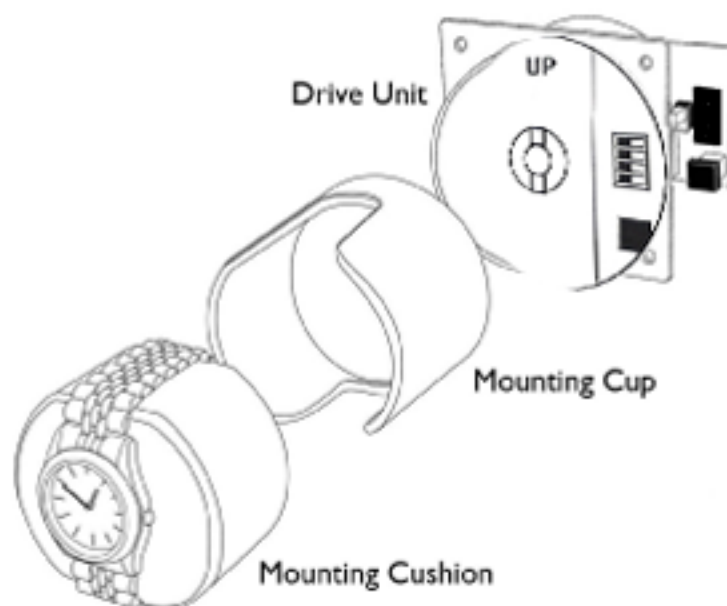
MODULE MOUNTING DIMENSIONS
MOUNTING CUP AND CUSHION NOT SHOWN
ORDER BATTERY HOLDER SEPARATELY

MOUNTING HOLES ARE 0.17" DIAMETER
RECOMMENDED PANEL THICKNESS IS 3/8"
PANEL HOLE TO BE 3 3/8" DIAMETER
MOUNTING SCREWS TO BE 3/8" LONG

WATCHWINDER Modules

ASSEMBLY INSTRUCTIONS

PROGRAMMABLE



DIY Watch Winders - Programmable

Watchwinder modules make it easy for fabricators to design and build custom winder systems for a closet, safe or any special storage area. They are completely self contained units and operate on either low voltage Alkaline batteries or wall plug AC/DC adapters.

Installing The Module: Installation is both quick and easy. Using a panel with a thickness of 3/8" (10mm), all that is needed is a bored 3-3/8" diameter hole for each module. The module is inserted from the rear of the panel and held in place with four 3/8" or 10mm wood or sheet metal screws. Panels may be of heavier construction if desired. Simply machine a "pocket" which is 4"x4" for each unit leaving a 3/8" wall thickness.

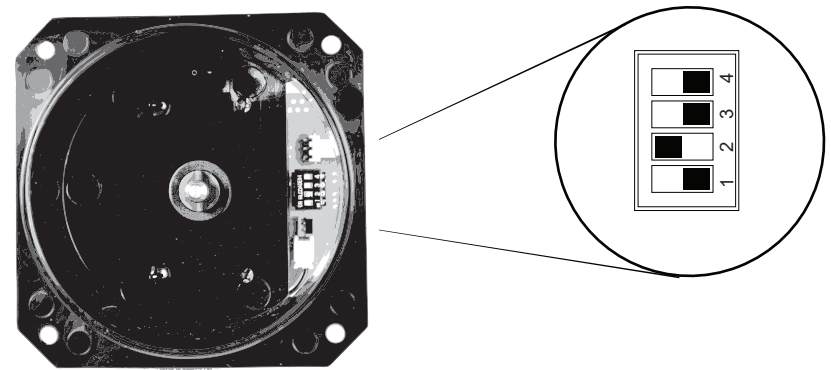
Modules are supplied fully assembled. All that is required to connect the two leads (red and black color) of each module to 6.0 volts DC Power. If Alkaline battery power is favored, Orbita offers several different battery holders depending on the number of modules to be powered (maximum of six). When more than six modules are to be powered, AC/DC adapters operation is recommended. Terminal boxes for multiple hookups are also available to simplify installation. On/Off control is accessible from the front of the panel. Simply remove the watch mounting cup for control access.

Panels may be mounted vertically or tilted back 5 to 10 degrees for failsafe operation in the event that mounting cups are not positioned correctly. Modules can be mounted on a 4"x4" grid, although a 6" grid provides adequate space for battery holders. Operation is viturally silent and there is absolutely no maintenance required. Modules are guaranteed for 2 years operation but are designed to easily provide many years of life without attention.

Made in the USA by ORBITA Corporation
 6740 Netherlands Drive, Unit D
 Wilmington, NC 28405
 Tel: 910-253-5300
 Fax: 910-256-5356
 Email: info@orbita.com
 Please visit our website at:
www.orbita.com

Revised April 2015

DIY Watch Winders - Programmable



Setting the DIP Switches

Each winding head can be set for a different watch. Programming is handled by four DIP switches located just behind the cup assembly. To learn what setting to use with your watch, visit our exclusive Watch Database on our website. There you can find the correct setting and use the table below to set the DIP switches.

Programming Settings (TPD = Turns Per Day)

OPERATING MODE	650 TPD	800 TPD	950 TPD	1300 TPD	1600 TPD
Clockwise Rotation Only					
Counterclockwise Rotation Only					
Automatic Reversing					
Pause Intervals	31 minutes	25 minutes	21 minutes	15 minutes	12 minutes

Visit our watch database: www.orbita.com