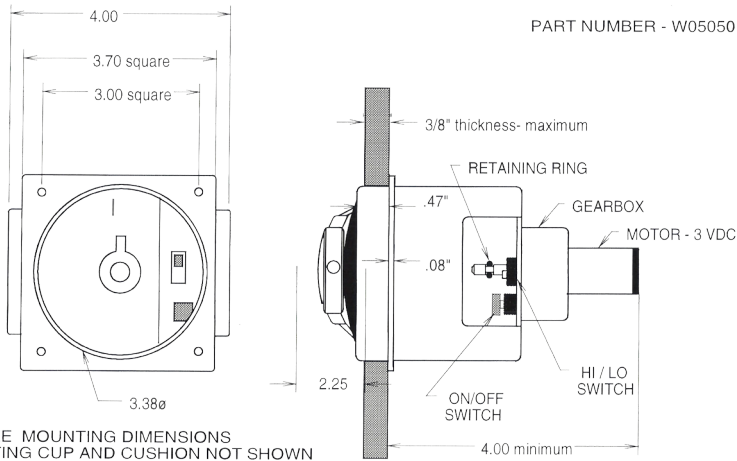




MODULE ASSEMBLY - ROTORWIND VERSION - 3 VOLTS DC

PART NUMBER - W05050



MODULE MOUNTING DIMENSIONS
MOUNTING CUP AND CUSHION NOT SHOWN
ORDER BATTERY HOLDER SEPARATELY

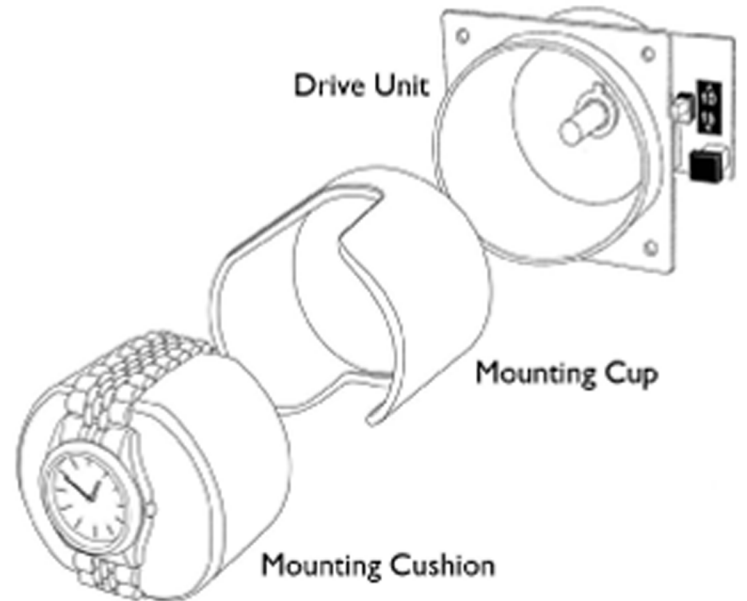
MOUNTING HOLES ARE 0.17" DIAMETER
RECOMMENDED PANEL THICKNESS IS 3/8" MAX.
PANEL HOLE TO BE 3 3/8" DIAMETER
MOUNTING SCREWS TO BE 3/8" LONG

FOR MULTIPLE MODULE UNIT MOUNTING,
MINIMUM MOUNTING GRID IS 4" x 4" BUT
6" x 5" IS RECOMMENDED TO PROVIDE
SPACE FOR BATTERY HOLDER (S)

WATCHWINDER Modules

ASSEMBLY INSTRUCTIONS

ROTORWIND®



DIY Watch Winders - Rotorwind

Rotorwind modules make it easy for fabricators to design and build custom winder systems for a closet, safe or any special storage area. They are completely self contained units and operate on either low voltage lithium batteries or wall plug AC/DC adapters.

Installing The Module: Installation is both quick and easy. Using a panel with a thickness of 3/8" (10mm), all that is needed is a bored 3-3/8" diameter hole for each module. The module is inserted from the rear of the panel and held in place with four 3/8" or 10mm long wood or sheet metal screws. Panels may be of heavier construction if desired. Simply machine a "pocket" which is 4"x4" for each unit leaving a 3/8" wall thickness.

Modules are supplied fully assembled. All that is required to connect the two leads (red and black color) of each module to 3.0 to 3.6 volts DC Power. If Lithium battery power is favored, Orbita offers several different battery holders depending on the number of modules to be powered (maximum of six). When more than six modules are to be powered, AC/DC adapter operation is recommended. Terminal boxes for multiple hookups are also available to simplify installation. On/Off control is accessible from the front of the panel as is timing mode switch allowing for normal 8 minute operation or extended battery life, 12 minute operation. Simply remove the watch mounting cup for control access.

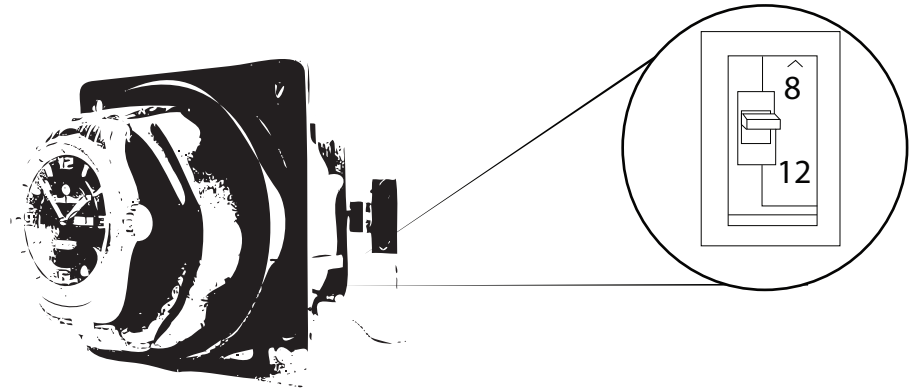
Panels may be mounted vertically or tilted back 5 to 10 degrees for failsafe operation in the event that mounting cups are not positioned correctly. Modules can be mounted on a 4"x4" grid, although a 6" grid provides adequate space for battery holders. Operation is virtually silent and there is absolutely no maintenance required. Modules are guaranteed for 2 years operation but are designed to easily provide many years of life without attention.

Made in the USA by ORBITA Corporation
6740 Netherlands Drive
Unit D
Wilmington, NC 28405
Tel: 910-253-5300
Fax: 910-256-5356
Email: info@orbita.com
Please visit our website at:
www.orbita.com

Revised August 2014

Mounting Watch on Cushion

1. With the bracelet or strap of the watch **closed**, squeeze and slide the cushion through the watch. The back of the watch should rest against the Orbita logo and the strap should lie on the flat portion of the cushion .



8/12 Minute Switch

A program switch allows you to select one of two winding cycles: 8 minute (standard program) or 12 minute (extended program). The winding cycle begins every 8 or 12 minutes based on the program selected. Many watches that wind in both directions stay fully wound on the factory preset 8 min. setting. To select the extended program, remove the mounting cup to reveal the program switch opening. Insert a small object (screwdriver, pencil, etc) into the opening and slide the switch to the 12 minute setting. The factory preset position is the 8 minute setting.