

## Orbita Warranty

**Congratulations on your purchase.** Your ORBITA watchwinder will provide you with many years of trouble-free service. It comes complete with a 2-year warranty for any defects in materials and/or workmanship. In order to provide you with proper support, and to keep you updated with information on performance enhancements, accessories and new product announcements, we ask that you take a minute to fill out the registration card included with your ORBITA watchwinder. Be assured that we will not furnish your name, address or any other information you provide to us to any "third" parties.

### EXTENDED WARRANTY PURCHASE

There is always the possibility that any electro-mechanical device may fail due to unforeseen circumstances. ORBITA offers an optional extended warranty providing for an additional 3 year coverage period to insure against such contingencies. If you would like to purchase this option, please fill out the Extended Warranty card included with your watchwinder. You may fax or simply mail the paper work directly to us.

## Customer Support

### Give Us A Shout!

Need a different size cushion? We have smaller and larger size cushions available. Call our toll free 800 number (below) and we will be happy to send you one, free of charge.

### Online

[www.orbita.com](http://www.orbita.com)

### Email

[info@orbita.com](mailto:info@orbita.com)

### Phone / Fax

800-800-4436 / 910-256-5300

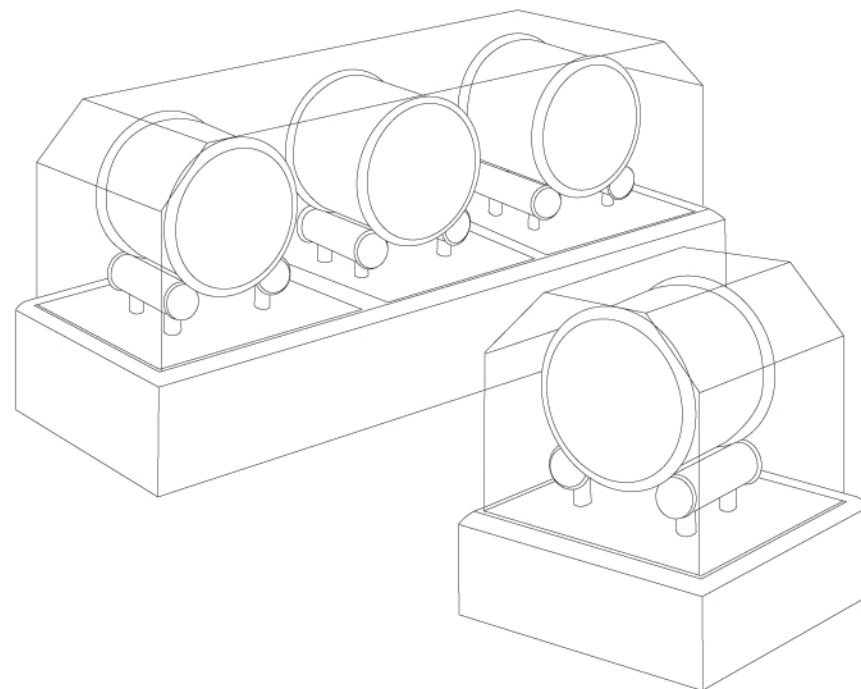


Made in USA



1205 Culbreth Drive  
Wilmington, NC 28405  
[www.orbita.com](http://www.orbita.com)

**ORBITA**<sup>®</sup>  
WATCHWINDERS



FUTURA Watchwinder

INSTRUCTION GUIDE

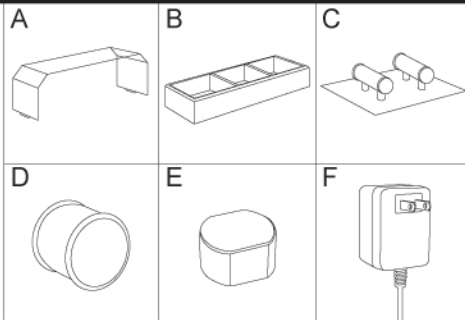
## Futura Watchwinder

### Congratulations!

The Futura user guide will help take you through the initial set up and programming of your new watchwinder. Your Futura watchwinder has been designed to provide years of dependable service without the need for maintenance and is covered from the factory with a 2-year warranty

### Included In This Box

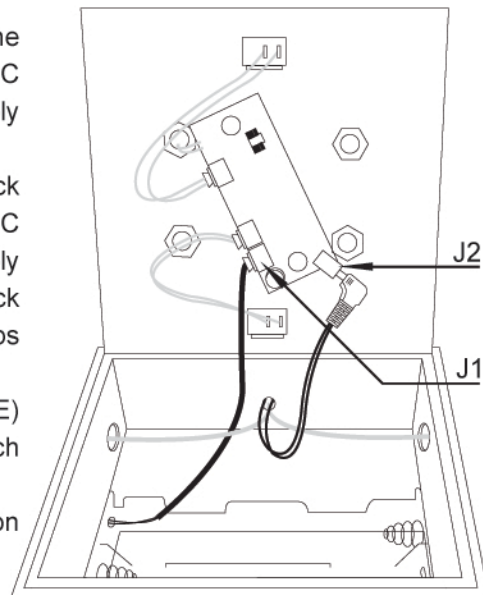
1. Acrylic Lid (A)
2. Black Lacquer Base (B)
3. Winder assembly [1 or 3] (C)
4. Cylinder Assembly [1 or 3] (D)
5. Standard Cushion [1 or 3] (E)
6. AC Adapter (F)
7. Warranty Registration
8. Instruction Book



### Some Assembly Required

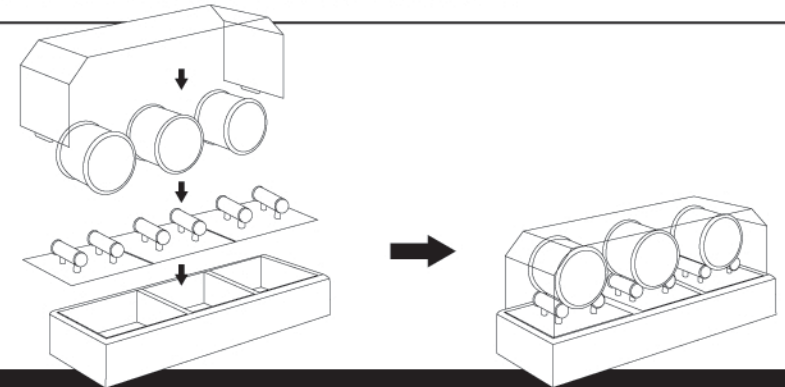
#### Connecting the wires from the base (B) to the Winder assembly (C).

1. Insert power plug from (B) into the socket labeled 'J2' on the green PC board attached to the winder assembly (C).
2. Insert the plug from the battery pack into the socket 'J1' on the green PC board attached to the winder assembly (C). Seat winder assembly (C) on black lacquer base (B). Repeat these steps for each winder assembly.
3. Mount your watch on the cushion (E) and then slide the cushion and watch into the cylinder assembly (D).
4. Seat the cylinder assembly (D) on the winder assembly rollers (C).
5. Cover with acrylic lid (A).



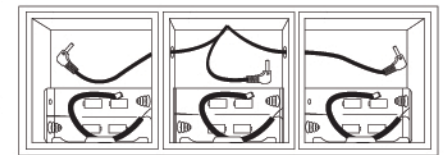
### Programmed Operation

After mounting the watch, turn the winder on using the ON/OFF rocker switch. Then position the cylinder (D) on the two support rollers. The cylinder will rotate clockwise for 1-minute and then rest for several minutes. That cycle will repeat throughout the day and provide 800 turns per day (TPD). The programming setting for this mode is indicated as "LO" on the programming switch (factory setting). If more winding is required, the "HI" setting provides 1300 TPD. For watches that only wind counterclockwise, simply lift the cylinder (D) off the support rollers and rotate the winder assembly (C) around 180 degrees so the ON/OFF switch sits at the back of the unit.



### Battery Installation

The FUTURA operates with an AC adapter or by use of 4 - 12 'C' batteries. The battery tray(s) are located on the under side of the winder assembly (C). \*Important note. The AC adapter should NOT be used when batteries are installed.



### Mounting Watch on Cushion

1. With the bracelet or strap of the watch **closed**, squeeze and slide the cushion through the watch. The back of the watch should rest against the Orbita logo and the strap should lie on the flat portion of the cushion .

