

Orbita Lithium Batteries

Extended Battery Life

All battery operated PRIVEE winders are fitted with high-energy, factory installed, LITHIUM batteries that provide several years of battery life. In addition, each PRIVEE winder carries an iron-clad 2-year product guarantee.

Replacement

When the time comes to replace the Lithium batteries in your PRIVEE winder, you may purchase replacements directly from us. You may also purchase locally if available. Should you purchase locally, be sure the battery specifics match. 3.6 Volts, 19,000 mAh.

Customer Support

Give Us A Shout!

Need a different size cushion? We have different sized cushions available for purchase. Call our toll free 800 number (below) or go to our website store.orbita.com and place your order.

Online

www.orbita.com

Email

info@orbita.com

Phone / Fax

800-800-4436 / 910-256-5356



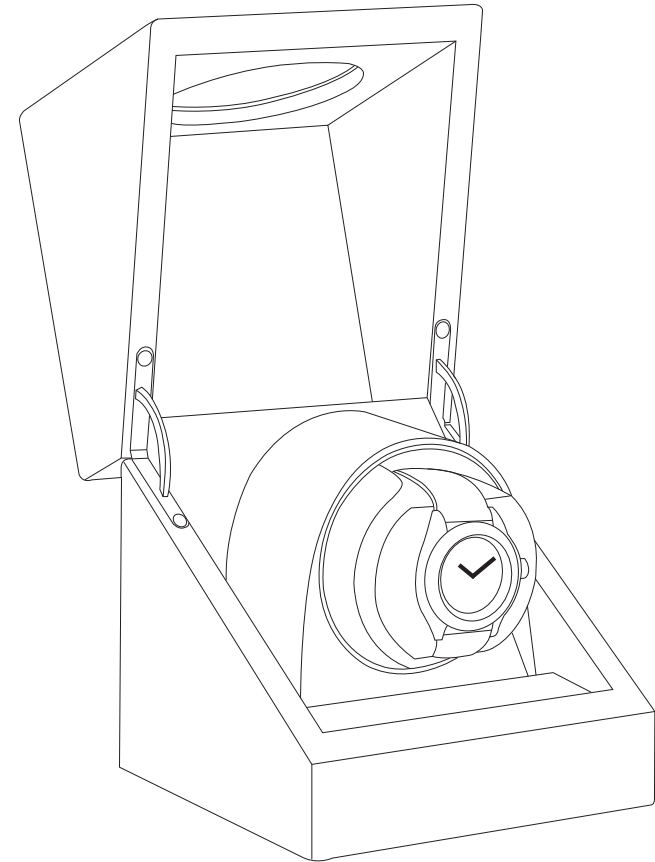
Made in USA



6740 Netherlands Dr.
Suite D
Wilmington, NC 28405
www.orbita.com

ORBITA®

WATCH WINDERS



PRIVEE Watch Winder

INSTRUCTION GUIDE

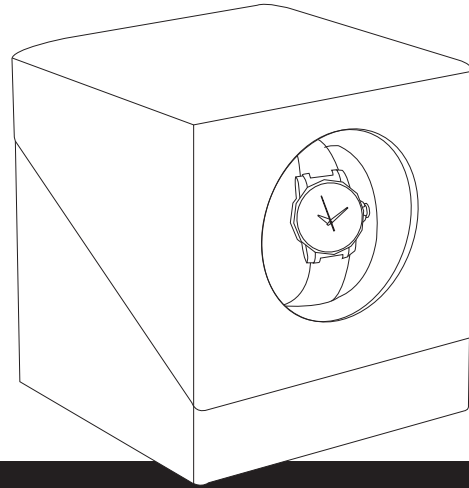
Privee Watch winder

Congratulations!

The PRIVEE user guide will help take you through the initial set up and programming of your new watch winder. Your Privee watch winder has been designed to provide years of dependable service without the need for maintenance and is covered from the factory with a 2-year warranty

Included In This Box

1. Watch Winder Case
2. Standard Cushion
3. Mini Screwdriver
4. Lithium Battery (2)
5. Warranty Registration
6. Instruction Book



Getting Started

Turning Power On

1. Open the battery compartment on the underside of the winder base.
2. Select setting 0-9 based on the winding requirements of your watch.
3. Close the battery compartment.
4. Mount the watch on cushion and slide cushion into the cup.
5. Close display lid
6. Turn the power on using ON/OFF switch.

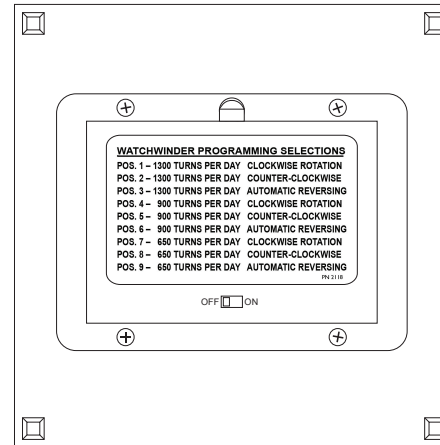
Mounting Watch on Cushion

1. With the bracelet or strap of the watch **closed**, squeeze and slide the cushion through the watch. The back of the watch should rest against the Orbita logo and the strap should lie on the flat portion of the cushion .

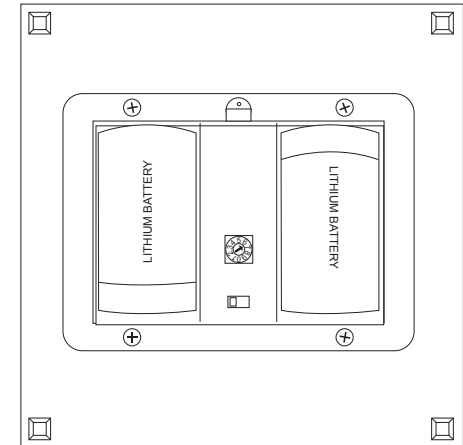


Programmed Operation

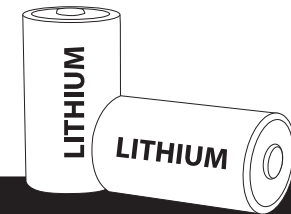
Once the watch is mounted on the cushion you can carefully load it into the winding cup and close the lid. The PRIVEE can be programmed for turns per day (TPD) and winding direction by using the supplied Mini Screwdriver inside the battery compartment. Using the guide on the battery cover door, select a setting 0-9 that is required for your watch. Close the battery door and turn the power on using the ON/OFF switch. Not sure which setting you need? Check out our watch database at, www.orbita.com. There you can search by brand to find the correct TPD and winding direction for all of your watches!



Closed battery compartment with programming selections.



Open battery compartment with programming switch.



Battery Replacement

The PRIVEE operates using 2 Lithium batteries. The battery compartment is located on the under side of the winder base. Use the finger tab to open the battery compartment and access the batteries. The Lithium batteries should last approximately 5 years before needing replacement. When replacing, you must use Lithium batteries. If you choose not to purchase Orbita batteries, please carefully check the battery specs written on each cell.